

C10L

10.4" Semi-rugged Tablet PC with AMD Geode LX800 Processor



CE FCC

Features

- Efficient AMD Geode LX800 500MHz processor
- 10.4" transmissive TFT LCD SVGA panel, high brightness - 250 nits
- Rich I/O port array for application expansion
- IP53 , drop proof up to 70 cm
- Fanless design
- 5 function keys
- Low power consumption processor
- Built-in WLAN and Bluetooth/ stand
- Light weight, 1.6 Kg

Introduction

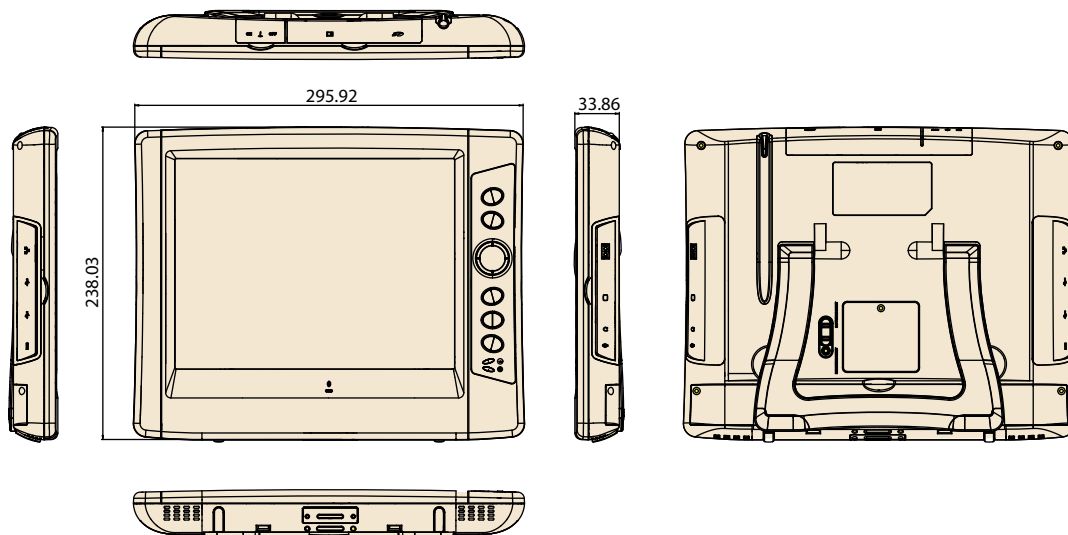
The C10L is a semi-rugged tablet PC featuring a 10.4" SXGA transmissive TFT-LCD display, and an AMD Geode LX800 500MHz processor. C10L is a fanless design with built in WIFI 802.11 a/b/g, and Bluetooth 2.0. C10L is certified as military grade ISO/IEC 17025, and has an IP53 rating guaranteeing protection against dirt, dust and water. S10A can withstand multiple drops of up to 70 cm. Advantech C10L is a strong and rugged tablet PC for all kinds of commercial and industrial environments.

Specifications

Processor	CPU	AMD Geode LX800 500MHz
	Companion Chipset	AMD Geode CS5536
Memory		512 MB, Up to 1 GB
Storage		CF Card: 2G/4GB/ 8GB/ 16GB SSD: SLC 32G MLC 32G/64G
Audio System		Realtek ALC655 AC97 codec
Display	Size/ Type	10.4" Transmissive TFT LCD
	Max. Resolution	SVGA 800 x 600
	Brightness (cd/m ²)	250 nits CCFL back light
Touch Panel		4-wire resistive touch panel
Application Buttons		5 x Function key buttons 1 x Power switch 1 x Navigation button
I/O Port		1 x RS-232 port 2 x USB 2.0 1 x SD card slot 1 x RJ45 LAN port 1 x Audio jack external microphone 1 x Audio jack external headphone 1 x VGA-out connector 1 x DC-in Jack, 1 x docking connector
Communication	Standard	802.11 a/b/g WLAN module Bluetooth class 2, v2.0 + EDR built-in
Dimensions & Weight		295 x 238 x 30 ~ 39 mm, 1.6 kg
Power	Battery	Rechargeable Li-ion smart battery, 14.8 V @ 2200 mAh (internal battery)
	Power Adapter	Universal AC 100 V ~ 240 V, 50 ~ 60 Hz input, 19 V, 3.16 A output 60 W"
Environment	Operating Temperature	0° ~ 40° C
	Storage Temperature	-20° C ~ +60° C
	Operating Humidity	5% ~ 95%
OS		Windows XP Embedded Windows XP Pro embedded Linux (Optional)
Rugged Certificate		IP53 rating Multiple 70 cm drop
Certifications		CE, FCC, ETL-US, Semko-GS, ROHS, WEEE

Dimensions

Unit: mm



I/O



1. Function buttons
2. Internal microphone



3. Docking/cradle connector



4. Power switch
5. SD card slot
6. Stylus

Ordering Information

Part Number	Description
C10L-G1C1C7-2FE0	TPC10.4TSH XGA LX800 500 MHz 512 M BT WLAbg CF4G XPE FRENCH
C10L-C1C1C6-2IE0	TPC10.4LG SVGA LX800 500 MHz 512 M BT WLAbg CF2G XPE ITALIAN
C10L-91-CT11C-R01	Accessory C10L cradle



7. RJ-45 LAN port
- 8 & 9. USB port
10. DC-in jack



11. RS-232 port
12. VGA port
13. Headphone
14. Microphone