

26 KEY HANDHELD KEYBOARDS WITH „THUMBSTICK“ IP65 sealed



These 26 key handheld membrane keyboards have an integrated Hall effect joystick which we call a “thumbstick” - this name describes better its functionality. The keyboards are sealed IP65 and housed in a very stylish and robust ABS housing. They have numeric and function keys; the control keys are available via “Fn” key mapping. Ideal for applications requiring only a limited number of key functions with fast and comfortable key access and a precise, thumb operated joystick which acts as a cursor controller.

MAIN FEATURES

- 26 membrane keys with tactile feel, 1,4 mm travel and 4N operating force
- Integrated Hall effect joystick (acting as cursor controller)

Panel mount version :

- Front of panel mounting by six M3 mounting studs
- Added silicon sponge seal for perfect sealing into the user's panel
- Dimensions / weight : 85 x 205 x 34 mm / 0,2 kg

Enclosed version :

- The keyboard is mounted in a very stylish and robust ABS housing
- Dimensions / weight : 105 x 210 x 60 mm / 0,4 kg

GENERAL TECHNICAL SPECIFICATIONS

Sealing	: IP65 sealed
Keys	: 26 tactile membrane keys
Pointing Device	: Hall effect thumbstick
Output	: 1,6 m. PS/2 or USB cable(s)
Power requirements	: Directly from PS/2 or USB port
Operating temp.	: 0°C to +60°C
Front layer	: Black polyester front layer with embossed keys, scratch and chemical resistant

CONNECTIVITY

The PS/2 keyboards are supplied with one 1,6 m long shielded straight cable ended with a PS/2 type A plug. The USB versions are supplied with one 1,6m long shielded straight cable ended by a USB type A connector. Use the US-keyboard driver standardly available in your operating system.

** Due to the increasing differences of PS/2 mouse port specifications of the various PC manufacturers, we do recommend that this unit should be tested on the final PC configuration and operating system prior to installing it in series.*

ORDER INFO

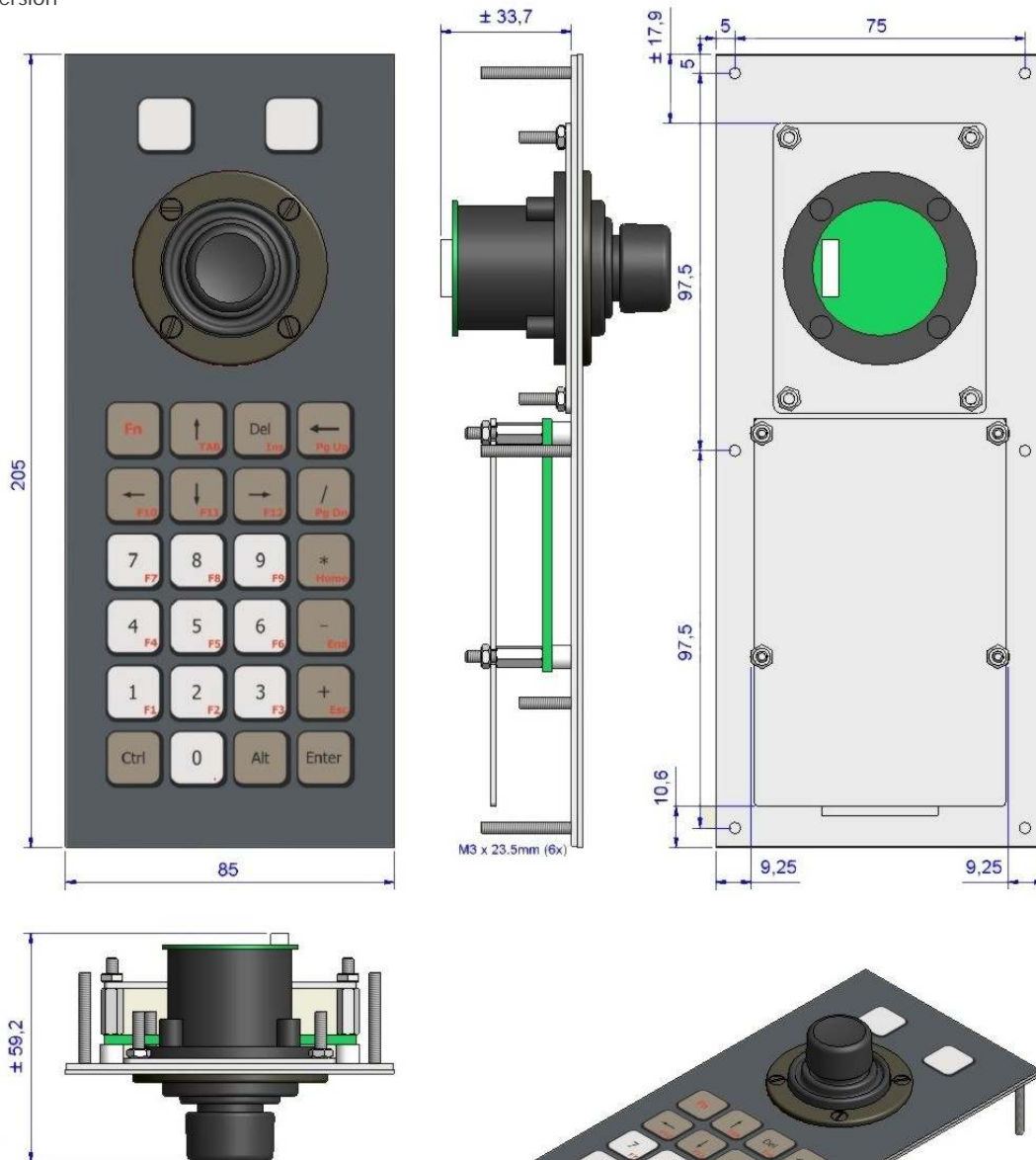
LAYOUT	PANEL MOUNT	ENCLOSED
n.a.	KBTS26 F1 xxx	KBTS26 S1 xxx

xxx = protocol output : PS/2 or USB

26 KEY HANDHELD KEYBOARDS WITH „THUMBSTICK“

DIMENSIONAL DRAWING

Panel mount version



COLOURS

Background : RAL 7024 graphite grey

Keys :

Contour : RAL 9011 graphite black

Legends : RAL 9011 graphite black or RAL 3000 flame red

Background : RAL 9006 white aluminium or

RAL 9007 grey aluminium

Dim in mm.

The company reserves the right to alter without prior knowledge the specification or design of any standard product or service.