

X10D

10.4" Rugged Tablet PC with Intel® Core™2 Duo U7500 Processor



Features

- Efficient Intel® Core™2 Duo processor
- 10.4" XGA high resolution TFT LCD panel
- Sunlight readable and high luminance solution for outdoor applications
- Built-in WIFI/Bluetooth/GPS/WWAN
- Rich array of I/O ports for a variety of applications
- Durable design with shock-resistant magnesium alloy housing
- Compliant with MIL-STD-810F and MIL-STD-461E standards
- IP65 rated
- Three foot drop test, shock proof

Introduction

X10 Series is a reliable and durable, rugged tablet PC, which has been approved to meet military standards. Enhanced communication functions and sunlight readable display extends the use of X10 series in multiple applications including:

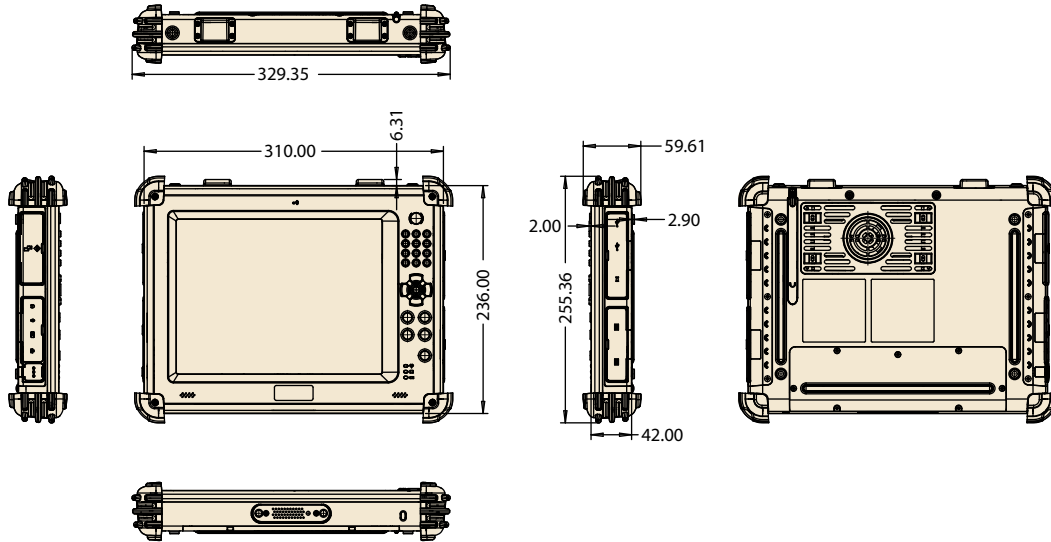
- Government and Homeland Security
- Manufacturing and Warehousing
- Military & Law Enforcement
- Transportation and Distribution
- In-vehicle Use (Trucks/Forklifts)

Specifications

Processor	CPU Companion Chipset	Intel Core 2 Duo processor U7500 GME965 & ICH8M
Memory		1 G, one SODIMM DDR II 533 supporting up to 2 GB
Storage		2.5" HDD 80 GB SATA or CompactFlash memory card (up to 16 GB)
Audio System		Realtek ALC262
Display	Size/ Type	10.4" Transmissive TFT LCD, optional sunlight-readable display
	Max. Resolution	XGA 1024 x 768
	Brightness (cd/m ²)	300 nits CCFL backlight
Touch Panel		4-wire resistive touch panel
Application Buttons		1 x power button 1 x software keyboard button, 12 numerical keys (0-9,#,*) 4 * programmable function buttons for quick selection of applications 4 way navigation button with integrated enter button,
I/O Port		2 x USB 2.0 host connector 2 x RS-232/422/485 (Optional) 1 x VGA output 1 x CF Type II slot 1 x PCMCIA Type II slot, support CardBus 2.1 1 x internal mono microphone 1 x internal stereo speaker 1 x RJ45 for 10/100/1000MB Ethernet 1 x audio jack for stereo headphone 1 x audio jack for microphone 1 x DC-In 1 x docking connector 1 x 3 G Sim card Slot (Optional)
Communication	Standard Factory Options (Optional)	802.11 a/b/g WLAN module, Bluetooth class 2, v2.0 + EDR WWAN GPS Module
Dimensions & Weight		310 x 236 x 42 mm, approx. 2.9 kg
Power	Battery	Rechargeable Li-ion smart battery, 11.1V, 5000mAh, 3S2P
	Power Adapter	Universal AC 100V~240V, 50-60 Hz input; 19V, 3.16A output
Environment	Operating Temperature	-20° C ~ +60° C
	Storage Temperature	- 40 ~ + 70° C
	Operating Humidity	5%~95%
OS		Windows XP Embedded, Windows XP Pro embedded, Windows 7 Pro embedded
Rugged Certificate		IP65 rating 3 Foot drop to concrete MIL-STD-461E MIL-STD-810F
Certifications		CE, FCC, VCCI, C-tick, A-Tick, TUV, CB, CCC, JATE, WEEE
Accessories		Desk docking Handstrap and shoulder strap Holster DC-DC adaptor x 1 (Input 12 ~ 32 V _{DC} or 36 ~ 48 V _{DC} vehicle adaptor) VESA mount Vehicle mount Vehicle docking

Dimensions

Unit: mm



I/O



7-8. Function Buttons
9. Docking/cradle connector

10. WWAN antenna
11. GPS antenna



12. CF card slot
13. PCMCIA card slot
14. Headphone
15. Microphone
16. Sim Card Slot
17. RJ-45 LAN Port
18. DC-in Jack



19. USB 2.0
20. USB 2.0 (Optional)
21. VGA port
22. RS-232/422/485
23. RS-232/422/485 (Optional)

Ordering Information

Part Number	Description
X10D-H1EGHD-3E00	TPC 10.4CM0 XGASun Core2 Duo U7500 1.06 GHz 1 GB BT WLaG GPS 2.5HD80G XProE
X10D-H1G1HD-3F00	TPC 10.4CM0 XGASun Core2 Duo U7500 1.06 GHz 2 GB BT WLaG 2.5HD80G XProE French
X10DAB1E1HD-3EU0	TPC 10.4CM0 XGA Core2Duo U7500 1.06 GHz 1 GB BT WLaG 2.5HD80G XProE power cord

Accessories

Part Number	Description
X10D-91-X10DC-R01	Accessory X10 Cradle
X10E-93-XT111-001	Accessory X10 Carrying bag & shoulder strap
X10E-93-XT115-031	Accessory X10 Car adaptor 19 V 60 W DC12 ~ 32
X10E-34-360B2-200	Accessory X10 Car adaptor 19 V 60 W DC36 ~ 48
X10E-93-XT112-001	Accessory X10 Adaptor
X10E-93-XT114-011	Accessory X10 Battery pack/5200 MAH
X10E-93-XT118-001	Accessory X10 Vehicle mount
X10E-93-XT11A-001	Accessory X10 Holster
X10E-93-XT113-001	Accessory X10 Stylus 3 pcs
X10E-93-XT116-001	Accessory X10 VESA mount
X10D-91-XT11V-M01	Accessory X10 Vehicle dock